

Minimum System Requirements

Motherboard:

- PCI Express® or PCI Express 2.0-compliant motherboard with one dual-width x16 graphics slot. For SLI configurations, you need an SLI-ready motherboard with one dual-width x16 graphics slot for each graphics card.

System Power Supply:

- Two 6-pin PCI Express power connectors or four available hard disk power connectors

For power supply recommendations for SLI configurations, visit www.slizone.com and check the Certified Products section.

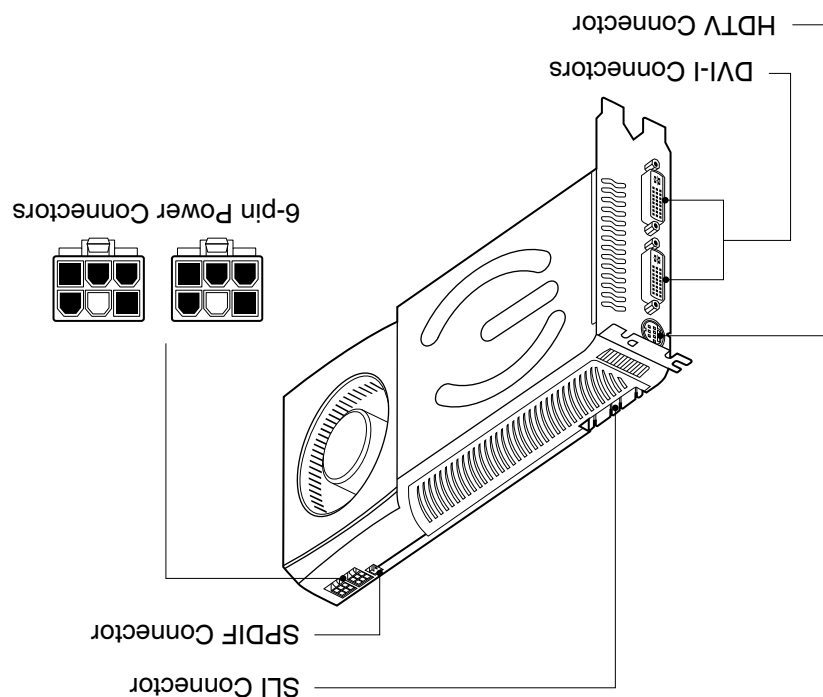
Operating System:

- Microsoft Windows XP, 32-bit or 64-bit
- Microsoft Windows Vista, 32-bit or 64-bit
- Microsoft Windows 7, 32-bit or 64-bit

Included Equipment

- EVGA GeForce GTX 275/285 Graphic Card
- Quick Start Guide and Printed Manual
- SPDIF Audio-In Cable
- DVI-to-HDMI Adapter
- DVI-to-VGA Adapter
- Driver Installation CD Features:
- Features Windows XP and Vista (32/64-bit) drivers

Installing the EVGA GeForce GTX 275 / 285



It is important that all power to the computer be removed (unplugged) before you install the graphic card.

- 1 Remove the current graphics driver installed on your computer. In Windows Vista, go to **Start > Control Panel > Programs > Uninstall a Program**.

- 2 Turn off your computer and disconnect the power cord.

Driver Installation

With the hardware installed, it is now time to install the graphics driver.

- 1 Power up your computer.
- 2 Insert the driver installation CD or double click on the GeForce driver executable file that can be downloaded at www.evga.com/support/drivers. The Setup program takes over and will walk you through the driver installation process.
- 3 You may need to reboot your PC once the driver installation is complete.

Enabling SLI

If you have installed multiple graphics cards in your system for SLI, you can set your SLI configuration in the NVIDIA Control Panel:

Note: Quad SLI is only supported under the Windows Vista operating system.

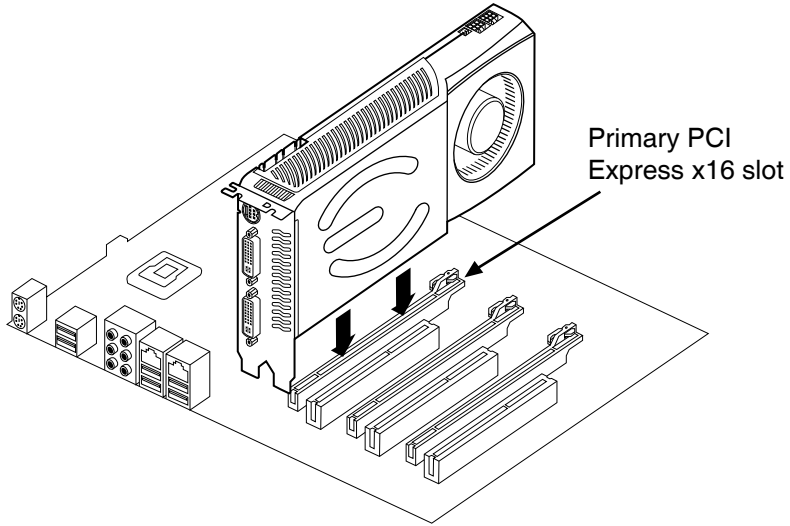
- 4 In Windows Vista, go to **Start > Control Panel > Additional Options** and select the NVIDIA Control Panel icon.
- 5 Click on **Set SLI and PhysX Configuration** in the left task pane and select **Enable SLI** and click **Apply**.
- 6 Click **Yes** on the *Applications Shutdown Required* window.

Quick Start Guide
GeForce GTX 285
GeForce GTX 275

3 Remove any existing graphics card(s).

Attention: If your system has been running for a period of time prior to opening the panels, it is very important that you wait until the graphics card in your system has cooled before taking the card out of the system. Graphics cards can get hot when they have been operating for any length of time.

4 Install the graphics card into the Primary PCI Express x16 slot.

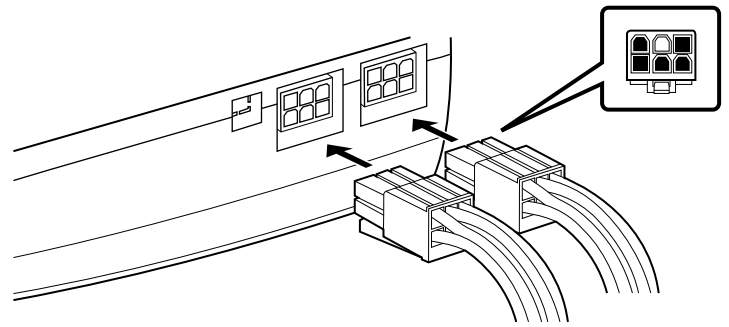


If you are installing an additional GeForce GTX 275/285 graphics card for SLI configuration, continue with step 5. If you are only installing one GeForce card, go on to step 6.

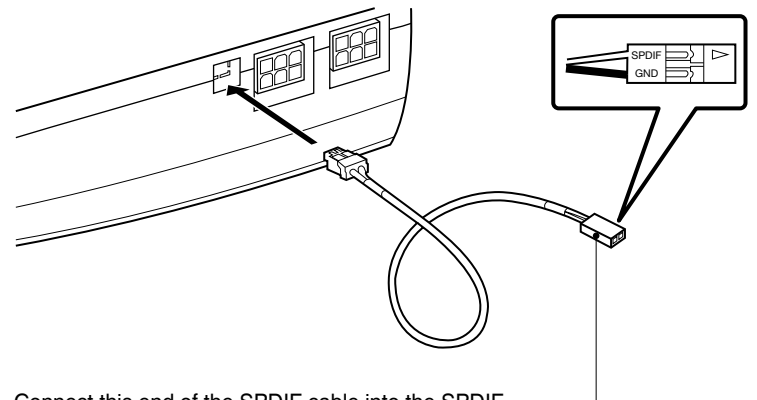
Note: All of the graphic cards in SLI configurations must be identical. Therefore, all graphics cards must be GeForce GTX 275/285.

5 For SLI, install the second GeForce card into the outer most PCI Express x16 slot on the motherboard.

6 Connect two 6-pin PCI Express auxiliary power connectors from the computer power supply to the connectors on the top edge of the GeForce GTX 275/285 graphics card.



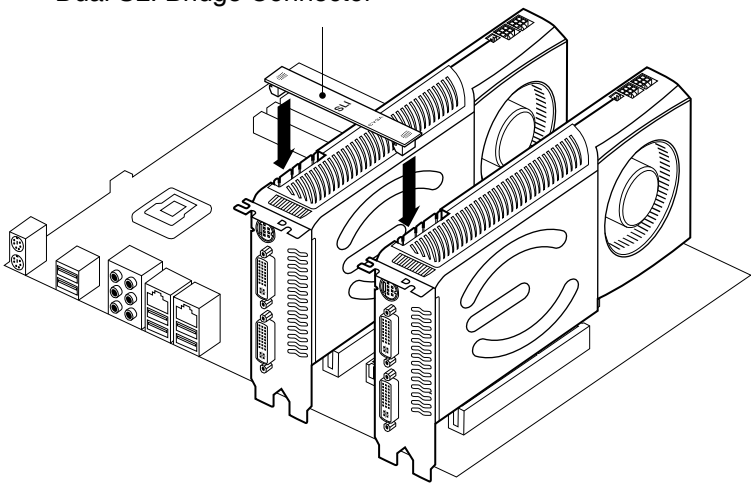
7 If you are going to be using your graphics card to output audio over an HDMI connection, connect the SPDIF cable as shown in the diagram to your primary graphics card:



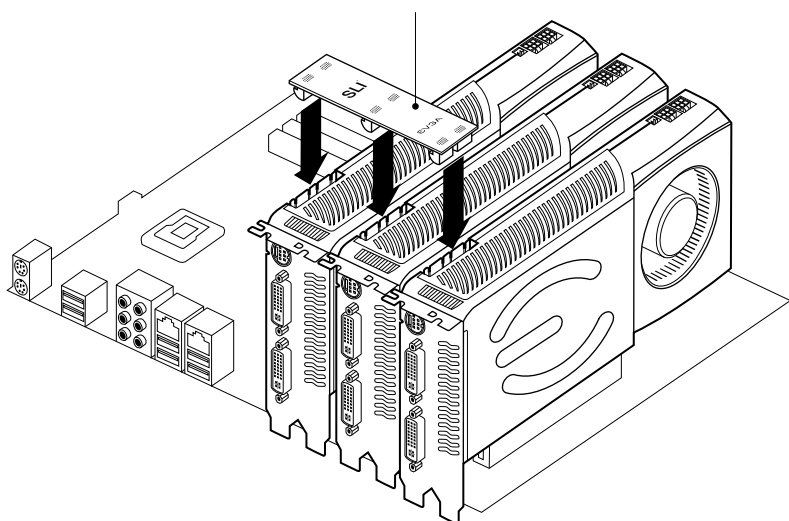
Connect this end of the SPDIF cable into the SPDIF header on the motherboard, making sure to match the SPDIF and GND pins on the cable to the correct pins on the motherboard. Consult your motherboard documentation for information on the SPDIF pins on the motherboard.

8 Reinstall the cover on your computer and reconnect any cables that you removed earlier in the installation.

Dual SLI Bridge Connector



3-Way SLI Bridge Connector

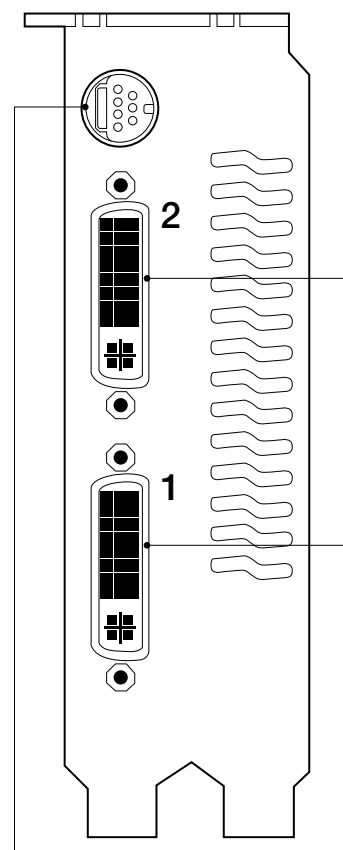


Connect the two or three cards together using the dual SLI bridge connector that came with your SLI-ready motherboard.

The GeForce GTX 275/285 graphics card can be connected to PC monitors or TVs that support DVI, VGA, or HDMI inputs. Supported multi-display configurations vary based on the operating mode of the graphics card that is set in the NVIDIA Control Panel:

Connect your computer monitor(s) or TV(s) to the GeForce graphics card.

Note: When two or more displays are connected, only the one connected to the primary connector of the primary card will **POST**. The other monitor will not come up until Windows loads.



DVI-I Connectors
 1. Primary DVI Connector
 2. Secondary DVI Connector

HDTV
 Connect directly to the bracket connector for S-video output, or use the TV Out dongle (included) to connect to a TV via component (YPrPb) or composite output.